



954-776-0080
www.psiprinting.com

25.5x11 Double Parallel Fold Newsletter

folds to 6.375x11

Actual Size is 25.375x11

Place this template in a separate layer
in your layout program and delete or turn off
before sending/exporting your file.

To use this template for the inside
of your print project, flip it horizontally.

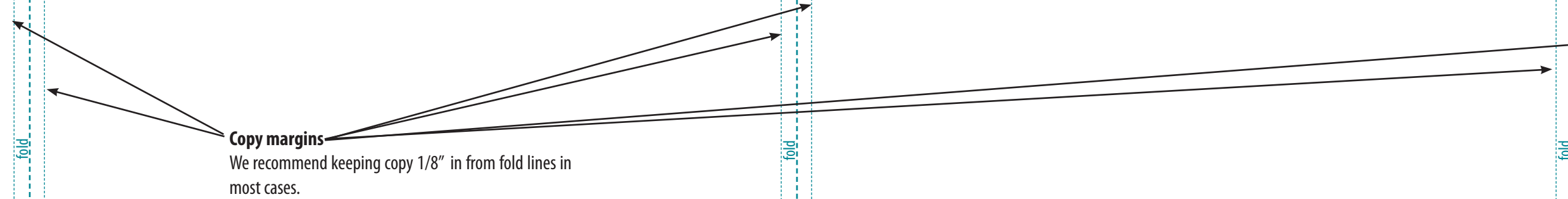
Inside Panel
(this panel is 1/16" smaller than front and back panels)
6.3125" wide

Inside Panel
(this panel is 1/16" smaller than front and back panels)
6.3125" wide

Outside Back Panel
6.375" wide

Outside Front Panel
6.375" wide

Bleed
For borderless edges, extend images, photos and/or
solid background colors 1/8" beyond the edge of the
page. This area (yellow) will be trimmed during the
finishing process. It should not contain any information
you intend to be seen or read.



Copy margins
We recommend keeping copy 1/8" in from fold lines in
most cases.

Margin
For best results keep text and images that must be seen
and read at least 1/8" from edge of page.

Trim
Edge of page.